

Diaphragm pressure gauge with switch contacts

For the process industry, up to 10-fold overload safety, max. 40 bar

Models PGS43.100, PGS43.160

WIKA data sheet PV 24.03



for further approvals see
page 3

switchGAUGE

Applications

- Control and regulation of industrial processes at measuring points with increased overload and scale ranges from 0 ... 25 mbar
- Monitoring of plants and switching of circuits
- For gaseous and liquid, aggressive and highly viscous or contaminated media, also in aggressive environments
- Process industry: Chemical industry, petrochemical industry, power plants, mining, on-/offshore, environmental technology, machine building and general plant construction

Special features

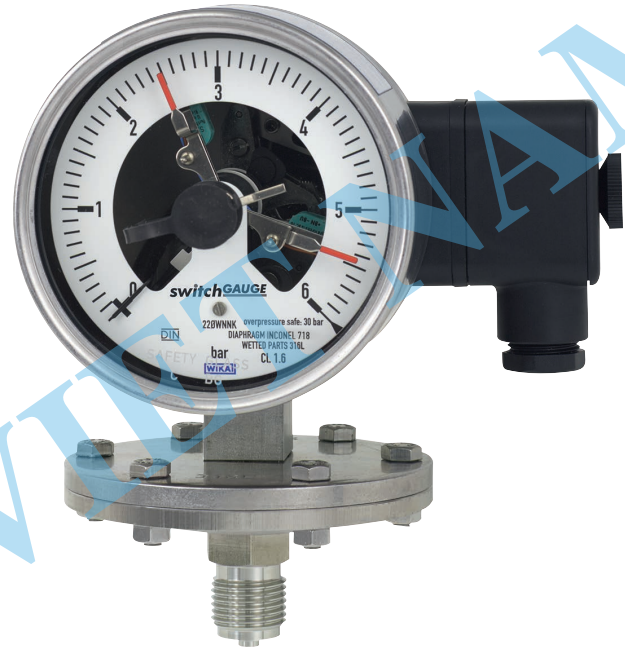
- High reliability and long service life
- Wide choice of special materials
- Up to 4 switch contacts per instrument
- Also available with liquid filling for high dynamic pressure loads or vibrations
- Instruments with inductive contacts for use in hazardous areas
- Instruments with contacts for PLC applications

Description

Wherever the process pressure has to be indicated locally and, at the same time, circuits need to be switched, the model PGS43 switchGAUGE finds its use.

Switch contacts (electrical alarm contacts) make or break circuits dependent upon the pointer position of the indicating measuring instrument. The switch contacts are adjustable over the full extent of the scale range (see DIN 16085), and are mounted predominantly below the dial, though also partly on top of the dial. The instrument pointer (actual value pointer) moves freely across the entire scale range, independent of the setting.

The set pointer can be adjusted using a removable adjustment key in the window.



Diaphragm pressure gauge model PGS43.100 with contact model 831.21

Switch contacts consisting of several contacts can also be set to a single set point. Contact actuation is made when the actual value pointer travels beyond or below the desired set point.

The pressure gauge is manufactured in accordance with DIN 16085 and fulfils all requirements of the relevant standards (EN 837-3) and regulations for the on-site display of the working pressure of pressure vessels.

As switch contacts, magnetic snap-action contacts, reed switches, inductive contacts – for requirements to ATEX – or electronic contacts for triggering a PLC are available.

Specifications

Models PGS43.100, PGS43.160	
Nominal size in mm	<ul style="list-style-type: none"> ■ 100 ■ 160
Accuracy class	1.6 ¹⁾ Option: 1.0 ²⁾
Scale ranges	0 ... 25 mbar to 0 ... 250 mbar (flange Ø 160 mm) 0 ... 400 mbar to 0 ... 25 bar (flange Ø 100 mm) other units (e.g. psi, kpa) available or all other equivalent vacuum or combined pressure and vacuum ranges
Scale	Single scale Option: Dual scale
Pressure limitation	
Steady	Full scale value
Fluctuating	0.9 x full scale value
Overload safety	5 x full scale value, however max. 40 bar Options: <ul style="list-style-type: none"> ■ Overload safety up to 10 x full scale value, max. 40 bar ■ Vacuum safety to -1 bar
Process connection with lower measuring flange	<ul style="list-style-type: none"> ■ G ½ B ■ ½ NPT ■ M20 x 1.5 ■ Open connecting flange DN 25 PN 40 per EN 1092-1, form B ■ Open connecting flange DN 50 PN 40 per EN 1092-1, form B ■ Open connecting flange 1" class 150, RF per ASME B16.5 ■ Open connecting flange 2" class 150, RF per ASME B16.5 and other threaded connections and open connecting flanges per EN/ASME from DN 15 to DN 80 (see data sheet IN 00.10)
Permissible temperature ³⁾	
Medium	+100 °C [+212 °F] maximum Option: +200 °C [+392 °F] maximum
Ambient	-20 ... +60 °C [-4 ... 140 °F]
Temperature effect	When the temperature of the measuring system deviates from the reference temperature (+20 °C): max. ±0.8 %/10 K of full scale value
Case	Version S1 per EN 837: With blow-out device in case back Option: Safety version S3 per EN 837: With solid baffle wall (Solidfront) and blow-out back Instruments with liquid filling with compensating valve to vent case
Case filling	Without Option: With silicone oil M50 case filling, ingress protection IP65
Wetted materials	
Diaphragm element (pressure element)	≤ 0.25 bar: Stainless steel 316L > 0.25 bar: NiCr alloy (Inconel) Option: Coated with special materials such as PTFE, Hastelloy, Monel, nickel, tantalum, titanium, silver (instruments with accuracy class 2.5)
Process connection with lower measuring flange	Stainless steel 316L Option: Lined/coated with special materials such as PTFE, Hastelloy, Monel, nickel, tantalum, titanium, silver
Pressure chamber sealing	FPM/FKM

1) Accuracy class 2.5 with smallest scale range. Depending on the built-in contact model, 0 ... 25 mbar or 0 ... 40 mbar.

2) Application test required

3) For hazardous areas, the permissible temperatures of the contact model 831 shall apply exclusively (see page 5). These must not be exceeded at the instrument either (for details see operating instructions). If necessary, measures for cooling (e.g. syphon, instrumentation valve, etc.) have to be taken.

Models PGS43.100, PGS43.160

Non-wetted materials	
Case with upper measuring flange, movement, bayonet ring	Stainless steel
Dial	Aluminium, white, black lettering
Instrument pointer	Aluminium, black
Set pointer	Aluminium, red
Window	Laminated safety glass
Ingress protection per IEC/EN 60529	IP54 Option: IP65
Electrical connection	Cable socket PA 6, black Per VDE 0110 insulation group C/250 V Cable gland M20 x 1.5 Strain relief 6 screw terminals + PE for conductor cross-section 2.5 mm ² For dimensions see page 9 others on request

Switch contacts

Magnetic snap-action contact model 821

- No control unit and no power supply required
- Direct switching up to 250 V, 1 A
- Up to 4 switch contacts per measuring instrument

Inductive contact model 831

- Suitable for use in hazardous areas with corresponding control unit (model 904.xx)
- Long service life due to non-contact sensor
- Low influence on the indication accuracy
- Fail-safe switching at high switching frequency
- Insensitive to corrosion
- Also available in safety version
- Up to 3 switch contacts per measuring instrument

Electronic contact model 830 E

- For direct triggering of a programmable logic controller (PLC)
- 2-wire system (option: 3-wire system)
- Long service life due to non-contact sensor
- Low influence on the indication accuracy
- Fail-safe switching at high switching frequency
- Insensitive to corrosion
- Up to 3 switch contacts per measuring instrument

Reed switch model 851

- No control unit and no power supply required
- Direct switching up to 250 V, 1 A
- For direct triggering of a programmable logic controller (PLC)
- Free from wear as without contact
- NS 100: Maximum two change-over contacts per measuring instrument
- NS 160: Maximum one change-over contact per measuring instrument (switching voltages AC < 50 V and DC < 75 V, switch contact not adjustable from outside)

Switching function

The switching function of the switch is indicated by index 1, 2 or 3.

Model 8xx.1: Normally open (clockwise pointer motion)

Model 8xx.2: Normally closed (clockwise pointer motion)

Models 821.3 and 851.3: Change-over; one contact breaks and one contact makes simultaneously when pointer reaches set point

For further information on switch contacts, see data sheet AC 08.01

Other versions

- Contact model 821 with separate circuits
- Contact model 821 as change-over contact (break or make simultaneously at the set point)
- Contact model 821 with cable break monitoring (parallel resistance 47 kΩ and 100 kΩ)
- Contact materials for contact model 821: Platinum-iridium alloy and gold-silver alloy
- Contacts fixed, without contact adjustment lock
- Contact adjustment lock leaded
- Contact adjustment key fixed
- Connector (instead of cable socket)

Specifications for instruments with magnetic snap-action contact model 821

Measuring span ¹⁾	Max. number of contacts	Switching current range I	Switch version ²⁾
≥ 25 mbar	2	0.02 ... 0.3 A	L
≥ 40 mbar	4	0.02 ... 0.3 A	L

1) Accuracy class 2.5 for scale range 0 ... 25 mbar and for scale range 0 ... 40 mbar with 3 or 4 contacts

2) Design of the contact coil: Version "L" = light-weight

The recommended setting range of the contacts is 25 ... 75 % of the scale (0 ... 100 % on request).

Contact material (standard): Silver-nickel, gold-plated

Setting the contacts

The recommended minimum clearance between 2 contacts is 20 % of the measuring span.

The switch hysteresis is 2 ... 5 % (typical).

Characteristics	Unfilled instruments	Filled instruments
	Resistive load	
Rated operating voltage U_{eff}	≤ 250 V	≤ 250 V
Rated operating current		
Switch-on current	≤ 0.5 A	≤ 0.5 A
Switch-off current	≤ 0.5 A	≤ 0.5 A
Continuous current	≤ 0.3 A	≤ 0.3 A
Switching power	≤ 30 W / ≤ 50 VA	≤ 20 W / ≤ 20 VA

Recommended contact load with resistive and inductive loads

Operating voltage	Unfilled instruments			Filled instruments		
	Resistive load		Inductive load	Resistive load		Inductive load
	Direct current	Alter-nating current	cos φ > 0.7	Direct current	Alter-nating current	cos φ > 0.7
DC 220 V / AC 230 V	100 mA	120 mA	65 mA	65 mA	90 mA	40 mA
DC 110 V / AC 110 V	200 mA	240 mA	130 mA	130 mA	180 mA	85 mA
DC 48 V / AC 48 V	300 mA	450 mA	200 mA	190 mA	330 mA	130 mA
DC 24 V / AC 24 A	400 mA	600 mA	250 mA	250 mA	450 mA	150 mA

Specifications for instruments with inductive contact model 831

Measuring span ¹⁾	Max. number of contacts
≥ 25 mbar	3

1) Accuracy class 2.5 for scale range 0 ... 25 mbar

The recommended setting range of the contacts is 10 ... 90 % of the scale (0 ... 100 % on request).

Setting of contacts to identical set point

Up to 2 contacts can be set to an identical set point. For a version with 3 contacts this is not possible. The left (no. 1) or right (no. 3) contact may not be set to the same set point as the other 2 contacts. The required displacement is approx. 30°, optionally to the right or to the left.

Available contact versions

- 831-N
- 831-SN, safety version ¹⁾
- 831-S1N, safety version ¹⁾, inverted signal

1) only operate with a corresponding isolating amplifier (model 904.3x)

Permissible temperature ranges

T6	T5 ... T1	T135 °C
-20 ... +60 °C	-20 ... +70 °C	-20 ... +70 °C

For further information on hazardous areas, see operating instructions.

Associated isolating amplifiers and control units

Model	Version	Ex version
904.28 KFA6 - SR2 - Ex1.W	1 contact	yes
904.29 KFA6 - SR2 - Ex2.W	2 contacts	yes
904.30 KHA6 - SH - Ex1	1 contact	yes - safety equipment
904.33 KFD2 - SH - Ex1	1 contact	yes - safety equipment
904.25 MSR 010-I	1 contact	no
904.26 MSR 020-I	2 contacts	no
904.27 MSR 011-I	Two-point control	no

Specifications for instruments with electronic contact model 830 E

Measuring span	Max. number of contacts
≥ 25 mbar	3

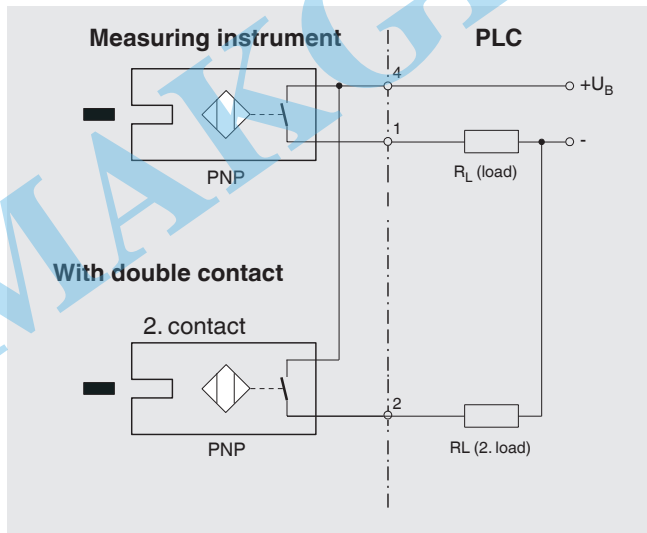
The recommended setting range of the contacts is 10 ... 90 % of the scale (0 ... 100 % on request).

Setting of contacts to identical set point

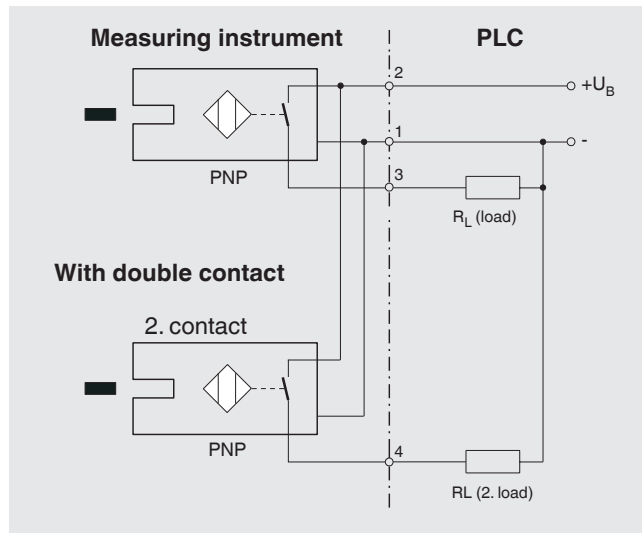
Up to 2 contacts can be set to an identical set point. For a version with 3 contacts this is not possible. The left (no. 1) or right (no. 3) contact may not be set to the same set point as the other 2 contacts. The required displacement is approx. 30°, optionally to the right or to the left.

Characteristics	
Contact version	Normally open, normally closed
Type of output	PNP transistor
Operating voltage	DC 10 ... 30 V
Residual ripple	max. 10 %
No-load current	≤ 10 mA
Switching current	≤ 100 mA
Residual current	≤ 100 μA
Voltage drop (with $I_{max.}$)	≤ 0.7 V
Reverse polarity protection	Conditional U_B (the switched output 3 or 4 must never be set directly to minus)
Anti-inductive protection	1 kV, 0.1 ms, 1 kΩ
Oscillator frequency	approx. 1,000 kHz
EMC	per EN 60947-5-2

2-wire system (standard)



3-wire system



Specifications for instruments with reed switch model 851

Measuring span ¹⁾	Case version	Max. number of contacts
≥ 25 mbar	S1, S3 ²⁾	2

1) Accuracy class 2.5 for scale range 0 ... 25 mbar

2) Case version S3 with NS 100

Legend:

S1 = Standard version, with blow-out device (per EN 837)

S3 = Safety version, Solidfront (per EN 837)









Switching power P_{max} 60 W / 60 VA

Switching current 1 A

Characteristics	
Contact version	Change-over contact
Type of contact	Bistable
Max. switching voltage	AC/DC 250 V
Min. switching voltage	Not required
Switching current	AC/DC 1 A
Min. switching current	Not required
Transport current	AC/DC 2 A
cos φ	1
Switching power	60 W/ VA
Contact resistance (static)	100 mΩ
Insulation resistance	10 ⁹ Ω
Breakdown voltage	DC 1,000 V
Switching time incl. contact chatter	4.5 ms
Contact material	Rhodium
Switch hysteresis	3 ... 5 %

- The limit values presented here must not be exceeded.
- When using two contacts, these cannot be set to the same point. Depending on the switching function, a minimum clearance of 15 ... 30° is required.
- The setting range of the contacts is 10 ... 90 % of the scale.
- The switching function can be set in manufacturing such that the reed contact will actuate exactly at the required switch point. For this, we need the switching direction to be specified on order.

Approvals

Logo	Description	Country
	EU declaration of conformity <ul style="list-style-type: none"> ■ EMC directive ■ Low voltage directive ■ RoHS directive ■ ATEX directive (option) ¹⁾ Hazardous areas <ul style="list-style-type: none"> - Ex ia Gas [II 2G Ex ia IIC T6/T5/T4 Gb] <li style="padding-left: 20px;">Dust [II 2D Ex ia IIIB T135 °C Db] Hazardous areas for instruments with PTFE lining <ul style="list-style-type: none"> - Ex ia Gas [II 2G Ex ia IIB T6/T5/T4 Gb] 	European Union
	IECEx (option) ¹⁾ Hazardous areas <ul style="list-style-type: none"> - Ex ia Gas [Ex ia IIC T6/T5/T4 Gb] <li style="padding-left: 20px;">Dust [Ex ia IIIB T135 °C Db] Hazardous areas for instruments with PTFE lining <ul style="list-style-type: none"> - Ex ia Gas [Ex ia IIB T6/T5/T4 Gb] 	International
	EAC (option) <ul style="list-style-type: none"> ■ EMC directive ■ Pressure equipment directive ■ Low voltage directive ■ Hazardous areas ¹⁾ 	Eurasian Economic Community
	GOST (option) Metrology, measurement technology	Russia
	KazInMetr (option) Metrology, measurement technology	Kazakhstan
-	MTSCHS (option) Permission for commissioning	Kazakhstan
	BelGIM (option) Metrology, measurement technology	Belarus
	UkrSEPRO (option) Metrology, measurement technology	Ukraine
	Uzstandard (option) Metrology, measurement technology	Uzbekistan
-	CRN Safety (e.g. electr. safety, overpressure, ...)	Canada

1) Only for instruments with inductive contact model 831

Certificates (option)

- 2.2 test report per EN 10204 (e.g. state-of-the-art manufacturing, indication accuracy)
- 3.1 inspection certificate per EN 10204 (e.g. indication accuracy)

Approvals and certificates, see website

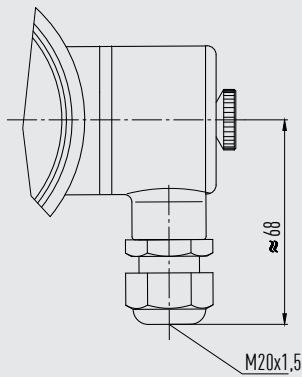
Accessories

- Sealings (model 910.17, see data sheet AC 09.08)
- Valves (models IV20/IV21, see data sheet AC 09.19, and models IV10/IV11, see data sheet AC 09.22)
- Syphons (model 910.15, see data sheet AC 09.06)
- Cooling element (model 910.32, see data sheet AC 09.21)

Dimensions in mm

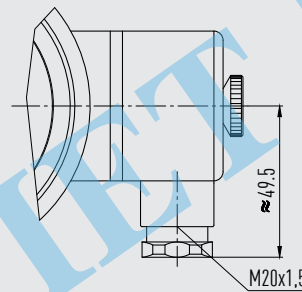
Standard cable socket

Contact models: 821 and 851



Only use cable with a diameter of 5 ... 10 mm

Contact models: 831 and 830 E

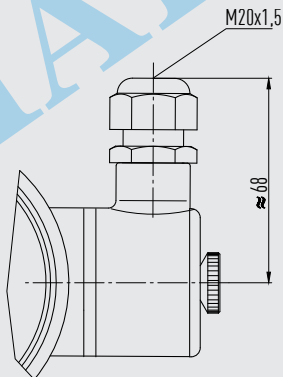


Only use cable with a diameter of 7 ... 13 mm

NS 100 instruments with contact models 821 or 851 are delivered with the cable socket turned through 180° for measuring ranges ≤ 250 mbar or for process connections with open connecting flanges.

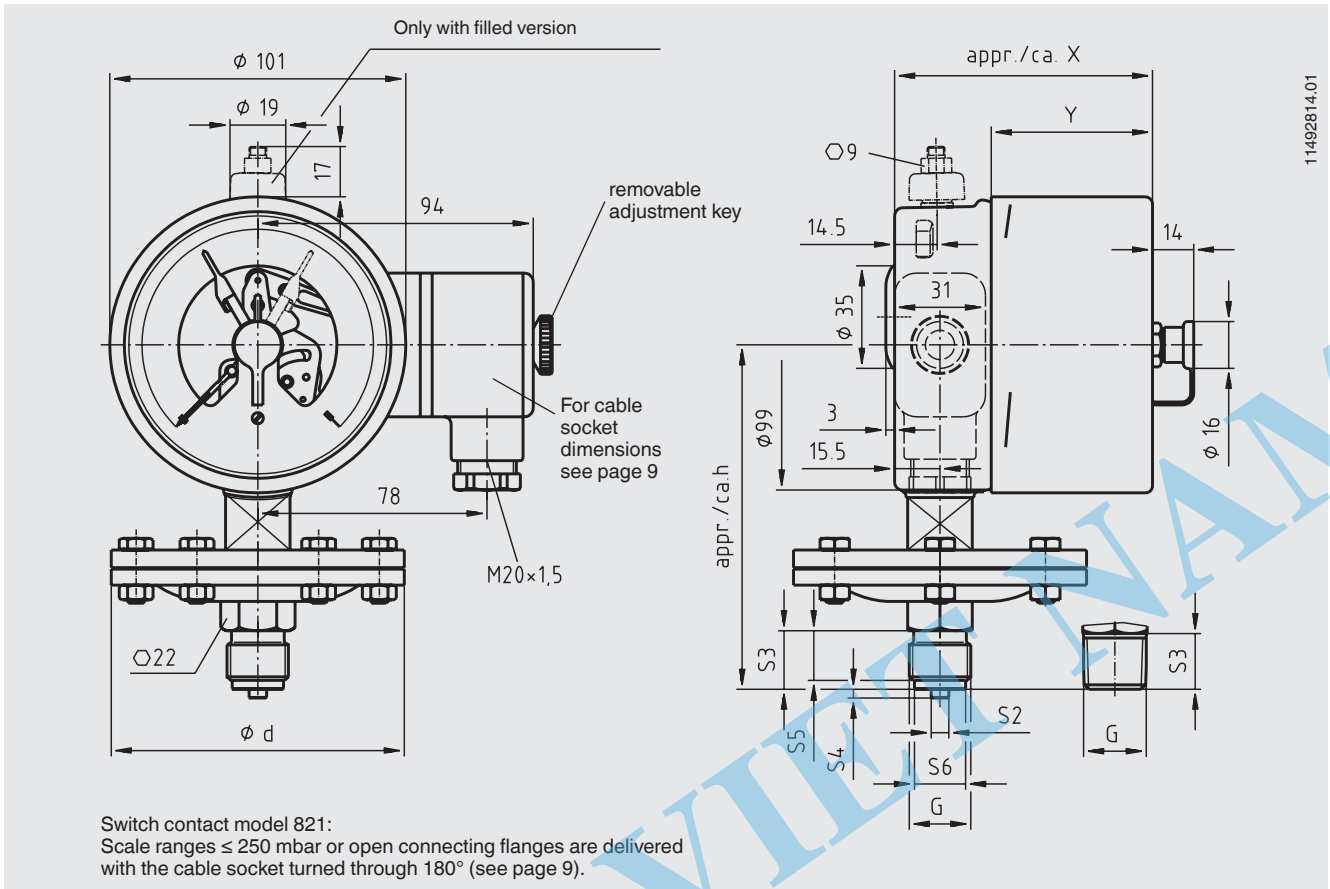
Cable socket, turned through 180°

Contact models: 821 and 851



Only use cable with a diameter of 5 ... 10 mm

switchGAUGE model PGS43.100 with switch contact model 821, 831 or 830 E

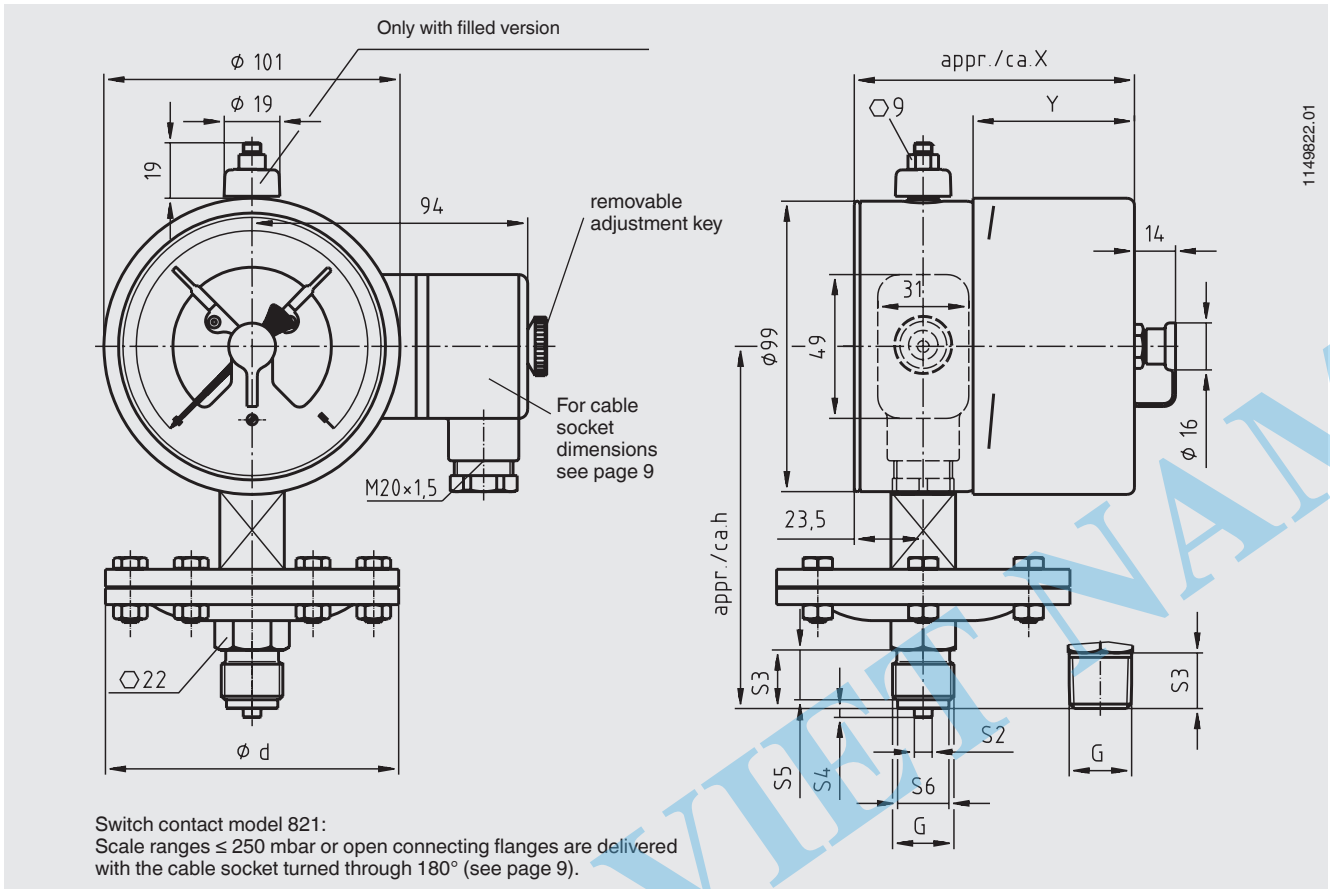


11492814.01

Process connection	Scale range	Dimensions in mm						
		$\varnothing d$	h	S2	S3	S4	S5	S6
G $\frac{1}{2}$ B	≤ 250 mbar	160	119	$\varnothing 6$	20	3	17	$\varnothing 17.5$
G $\frac{1}{2}$ B	> 250 mbar	100	117	$\varnothing 6$	20	3	17	$\varnothing 17.5$
$\frac{1}{2}$ NPT	≤ 250 mbar	160	118	-	19	-	-	-
$\frac{1}{2}$ NPT	> 250 mbar	100	116	-	19	-	-	-

Type of contact	Dimensions in mm	
	X	Y
Single or double contact	88	55
Double (change-over) contact	113	80
Triple contact	96	63
Quadruple contact	113	80

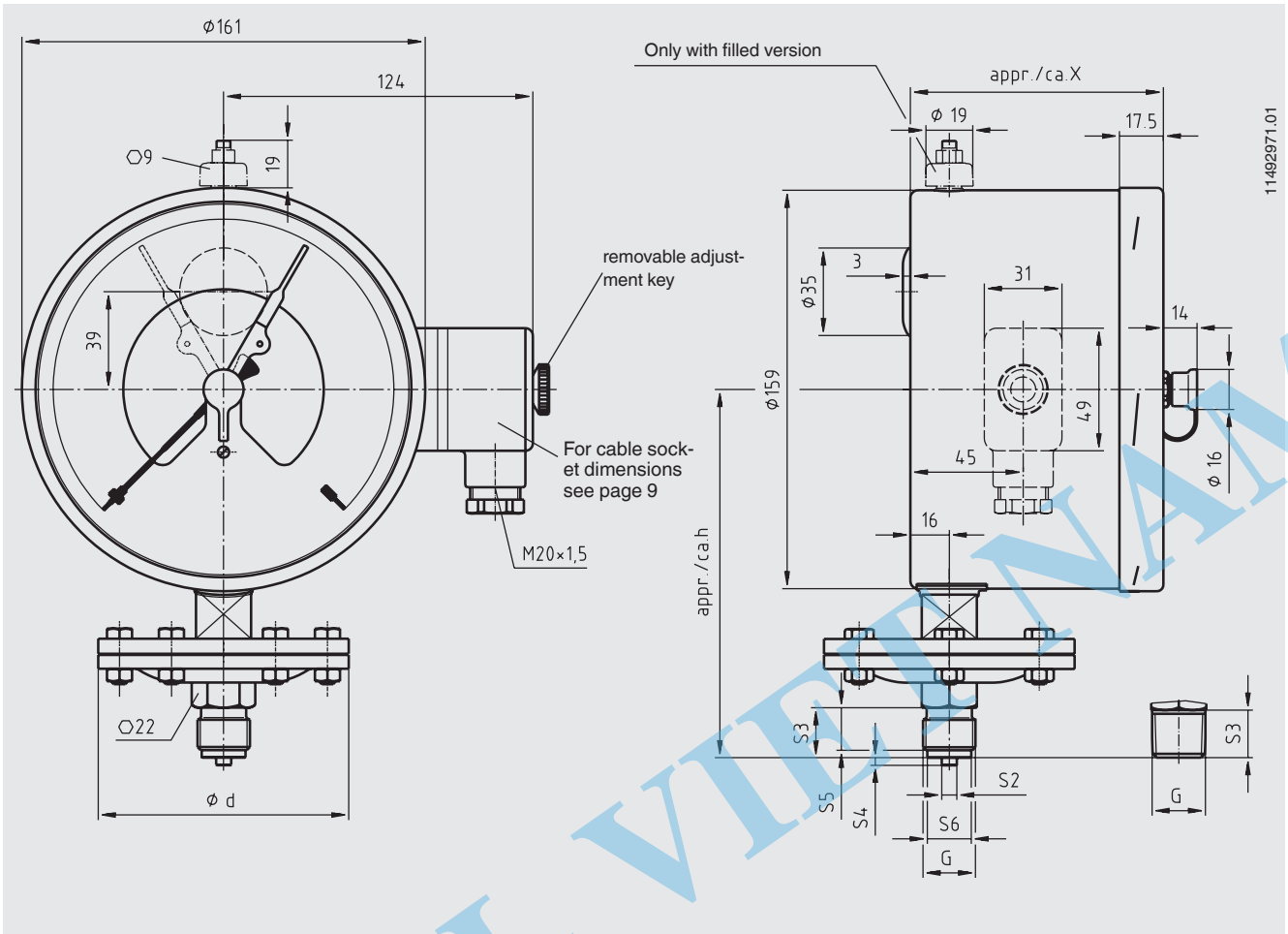
switchGAUGE model PGS43.100 (safety version) with switch contact model 821, 831 or 830 E



Process connection	Scale range	Dimensions in mm						
		Ø d	h	S2	S3	S4	S5	S6
G ½ B	≤ 250 mbar	160	119	Ø 6	20	3	17	Ø 17.5
G ½ B	> 250 mbar	100	117	Ø 6	20	3	17	Ø 17.5
½ NPT	≤ 250 mbar	160	118	-	19	-	-	-
½ NPT	> 250 mbar	100	116	-	19	-	-	-

Type of contact	Dimensions in mm	
	X	Y
Single or double contact	88	55
Double (change-over) contact	113	80
Triple contact	96	63
Quadruple contact	113	80

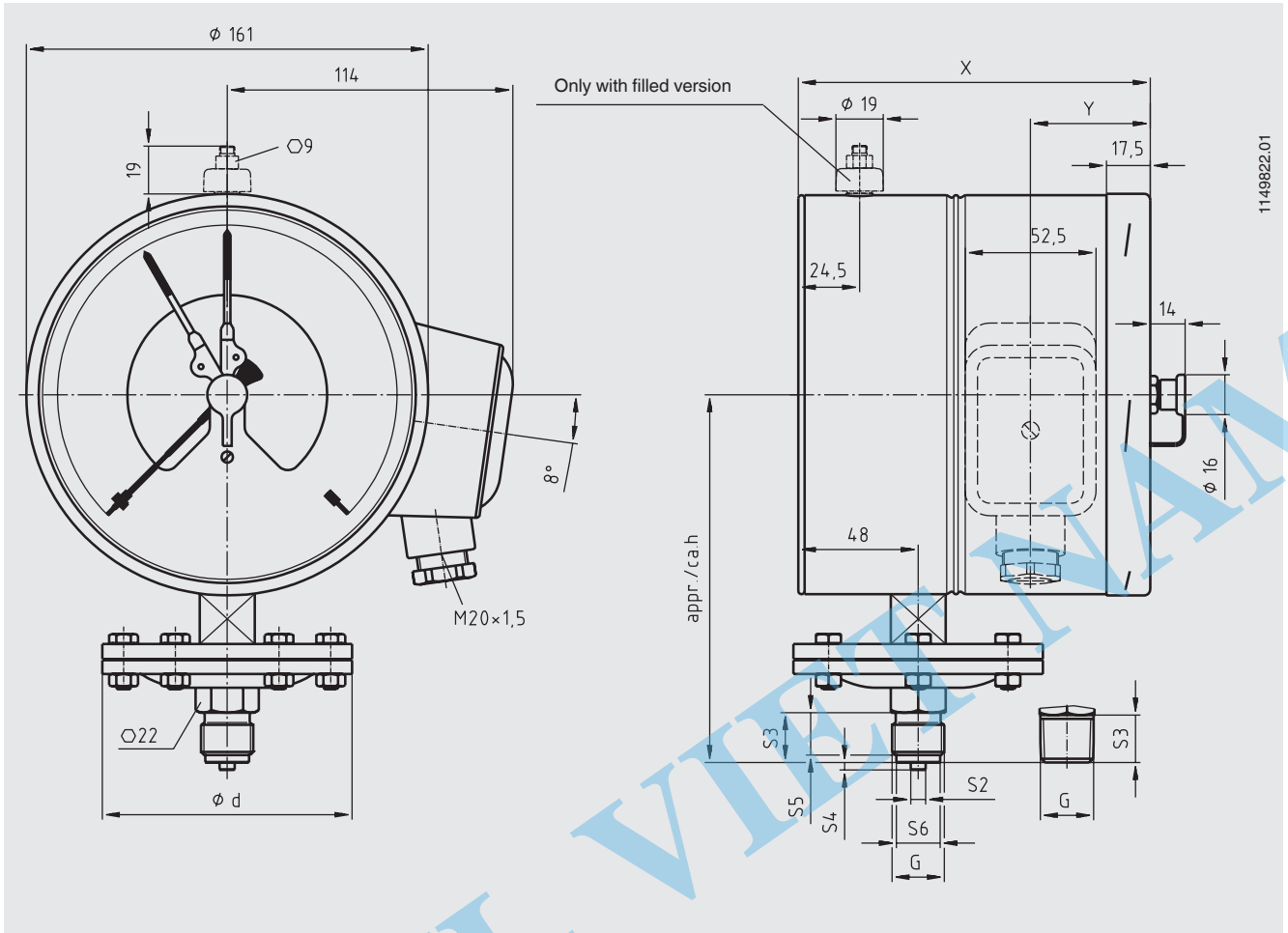
switchGAUGE model PGS43.160 with switch contact model 821, 831 or 830 E



Process connection	Scale range	Dimensions in mm						
		Ø d	h	S2	S3	S4	S5	S6
G ½ B	≤ 250 mbar	160	149	Ø 6	20	3	17	Ø 17.5
G ½ B	> 250 mbar	100	147	Ø 6	20	3	17	Ø 17.5
½ NPT	≤ 250 mbar	160	148	-	19	-	-	-
½ NPT	> 250 mbar	100	146	-	19	-	-	-

Type of contact	Dimensions in mm	
	X	
Single or double contact	102	
Double (change-over) contact	116	
Triple contact	102	
Quadruple contact	116	

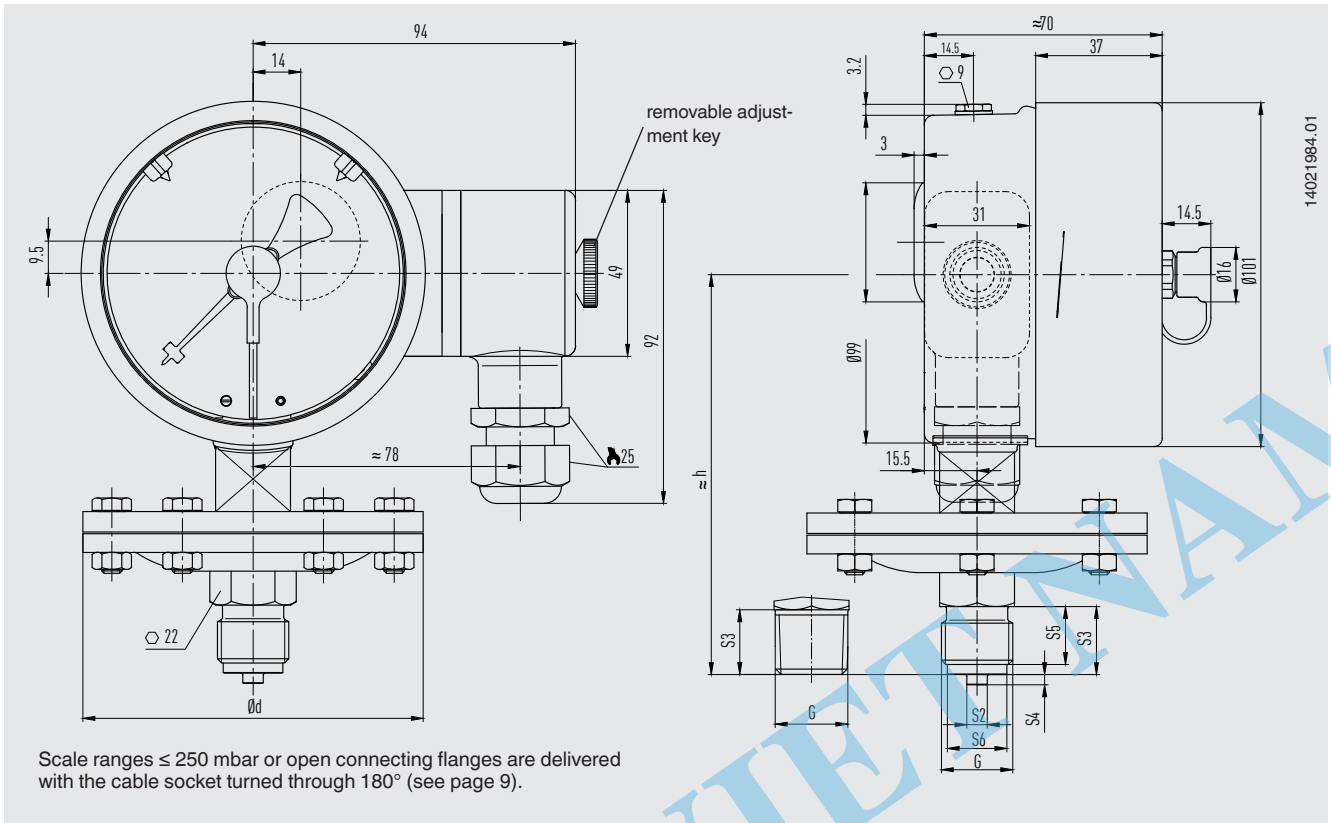
switchGAUGE model PGS43.160 (safety version) with switch contact model 821, 831 or 830 E



Process connection	Scale range	Dimensions in mm						
		Ø d	h	S2	S3	S4	S5	S6
G ½ B	≤ 250 mbar	160	149	Ø 6	20	3	17	Ø 17.5
G ½ B	> 250 mbar	100	147	Ø 6	20	3	17	Ø 17.5
½ NPT	≤ 250 mbar	160	148	-	19	-	-	-
½ NPT	> 250 mbar	100	146	-	19	-	-	-

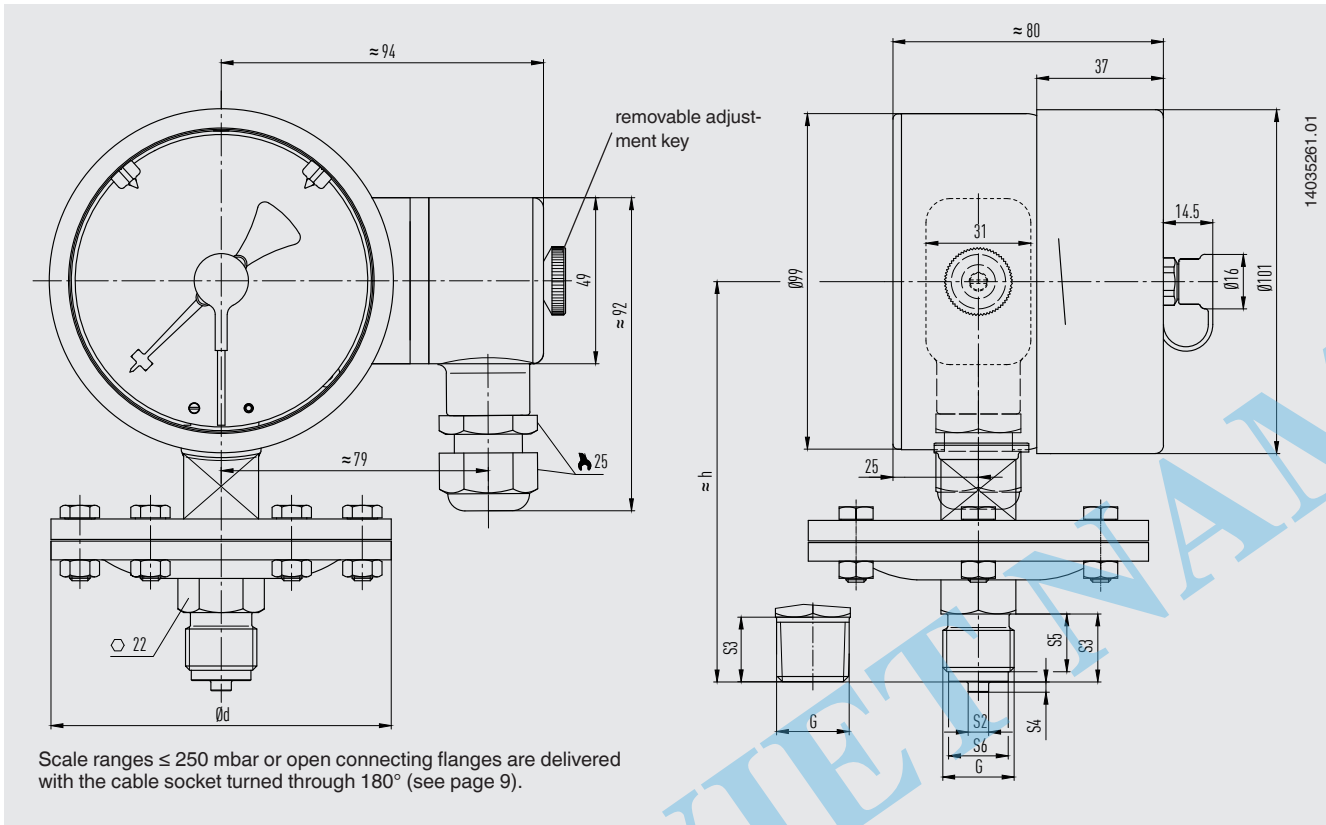
Type of contact	Dimensions in mm	
	X	Y
Single or double contact	141	48
Triple contact	153.5	60.5

switchGAUGE model PGS43.063 with switch contact model 851.3 or 851.33



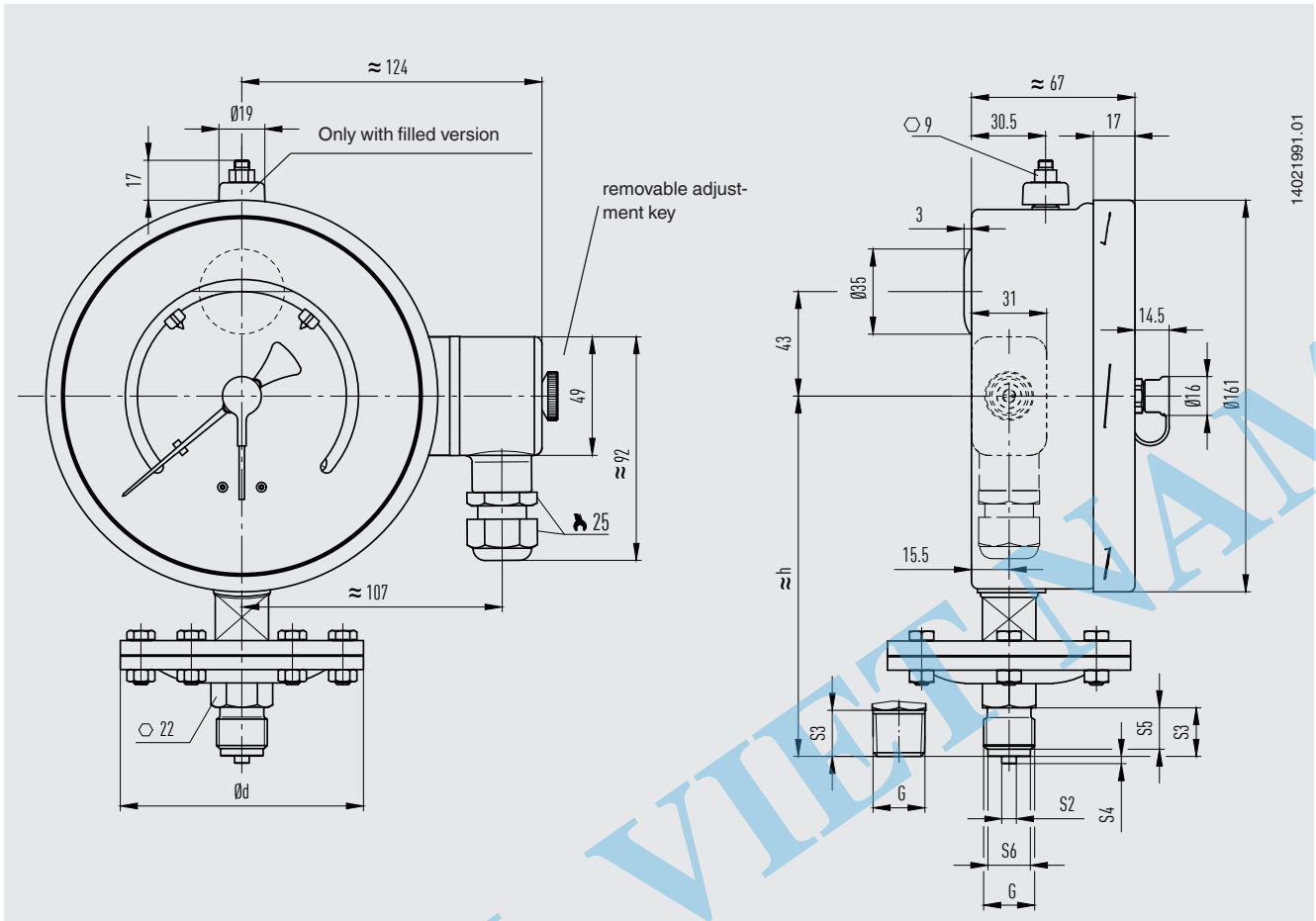
Process connection	Scale range	Dimensions in mm						
		$\varnothing d$	h	S2	S3	S4	S5	S6
G 1/2 B	≤ 250 mbar	160	119	$\varnothing 6$	20	3	17	$\varnothing 17.5$
G 1/2 B	> 250 mbar	100	117	$\varnothing 6$	20	3	17	$\varnothing 17.5$
1/2 NPT	≤ 250 mbar	160	118	-	19	-	-	-
1/2 NPT	> 250 mbar	100	116	-	19	-	-	-

switchGAUGE model PGS43.100 (safety version) with switch contact model 851.3 or 851.33



Process connection	Scale range	Dimensions in mm						
		$\varnothing d$	h	S2	S3	S4	S5	S6
G 1/2 B	≤ 250 mbar	160	119	$\varnothing 6$	20	3	17	$\varnothing 17.5$
G 1/2 B	> 250 mbar	100	117	$\varnothing 6$	20	3	17	$\varnothing 17.5$
1/2 NPT	≤ 250 mbar	160	118	-	19	-	-	-
1/2 NPT	> 250 mbar	100	116	-	19	-	-	-

switchGAUGE model PGS43.160 with switch contact model 851.3 or 851.33



14021991.01

Process connection	Scale range	Dimensions in mm						
		Ø d	h	S2	S3	S4	S5	S6
G ½ B	≤ 250 mbar	160	149	Ø 6	20	3	17	Ø 17.5
G ½ B	> 250 mbar	100	147	Ø 6	20	3	17	Ø 17.5
½ NPT	≤ 250 mbar	160	148	-	19	-	-	-
½ NPT	> 250 mbar	100	146	-	19	-	-	-

Ordering information

Model / Nominal size / Contact model / Contact version / Connection location / Process connection / Options

© 08/2009 WIKA Alexander Wiegand SE & Co. KG, all rights reserved.
 The specifications given in this document represent the state of engineering at the time of publishing.
 We reserve the right to make modifications to the specifications and materials.



WIKALAM
 WIKALAM Alexander Wiegand SE & Co. KG
 Alexander-Wiegand-Straße 30
 63911 Klingenberg/Germany
 Tel. +49 9372 132-0
 Fax +49 9372 132-406
 info@wika.de
 www.wika.de